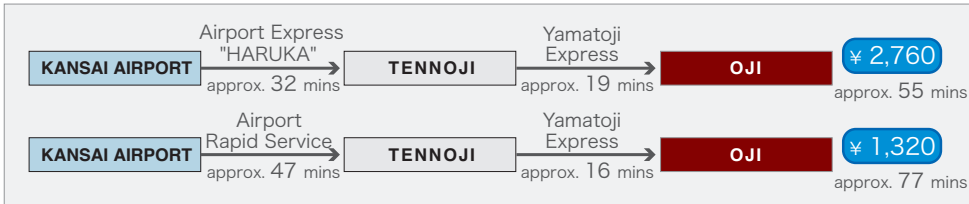
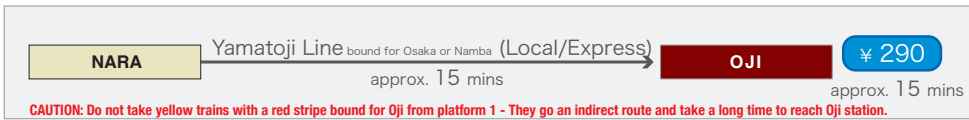


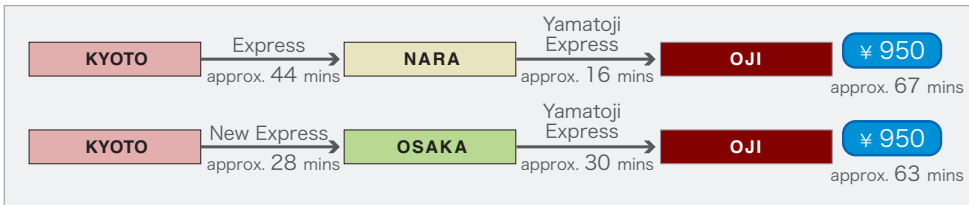
FROM KANSAI AIRPORT



FROM NARA



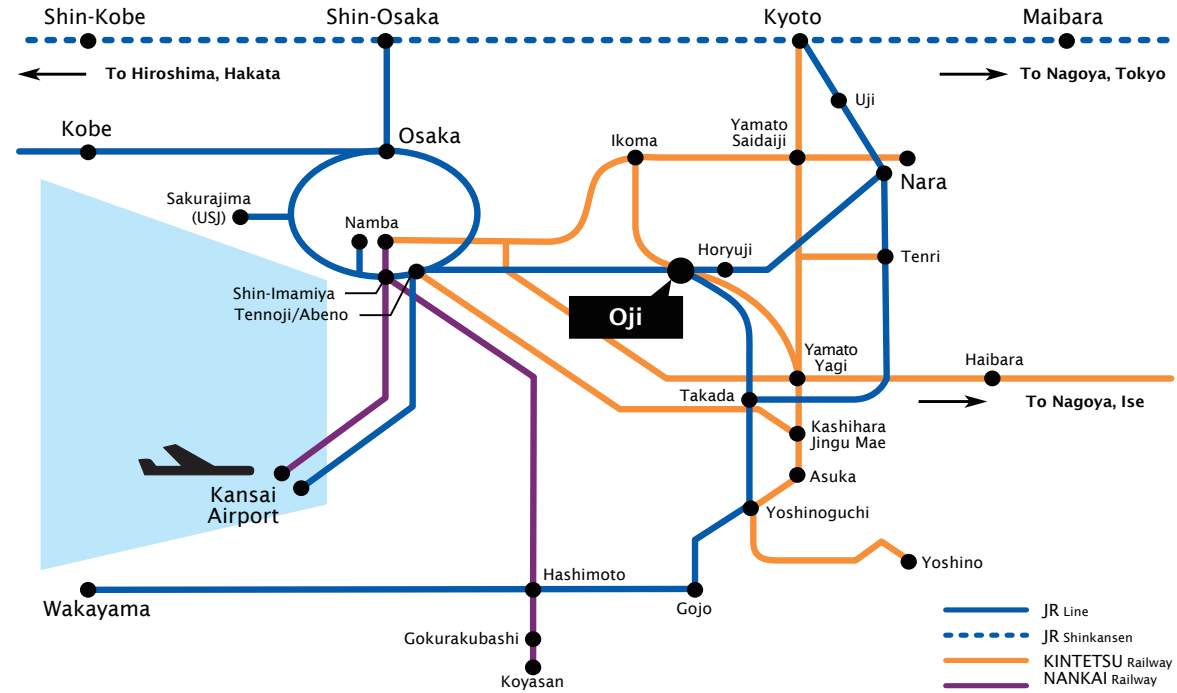
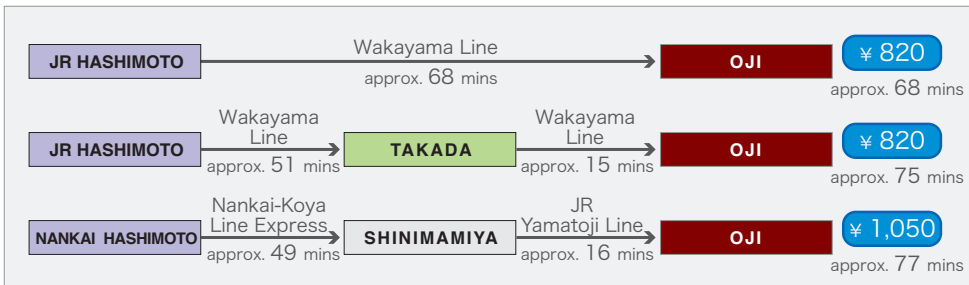
FROM KYOTO



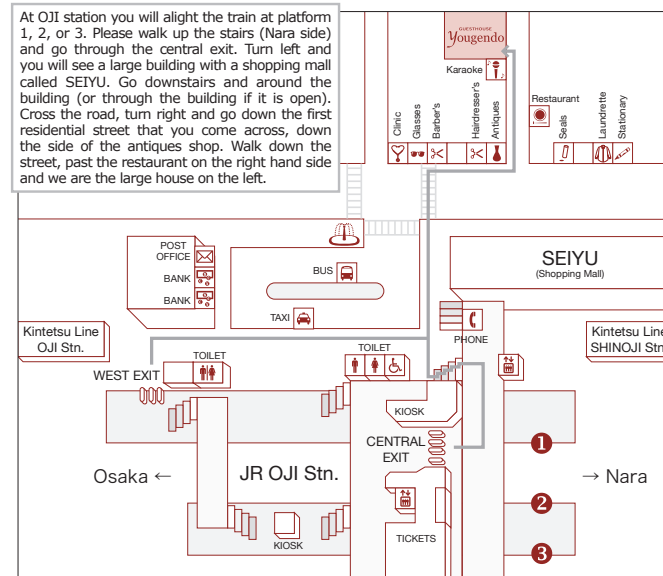
FROM OSAKA



FROM KOYASAN



FROM JR OJI STATION



At OJI station you will alight the train at platform 1, 2, or 3. Please walk up the stairs (Nara side) and go through the central exit. Turn left and you will see a large building with a shopping mall called SEIYU. Go downstairs and around the building (or through the building if it is open). Cross the road, turn right and go down the first residential street that you come across, down the side of the antiques shop. Walk down the street, past the restaurant on the right hand side and we are the large house on the left.

GUESTHOUSE **Yougendo**

13-25 Kudo 2 chome Oji-cho
Kitakatsuragi-gun Nara, Japan
奈良県北葛城郡王寺町久度2丁目13-25

1 min. walk from
JR Yamatoji- Line Oji Stn.
JR大和路線王寺駅下車徒歩1分

TEL : 0745-32-0514
URL : www.yougendo.com